

FRG RadialSeal™ for Medium - Heavy Dust Conditions

The FRG RadialSeal™ Air Cleaner is a two-stage hybrid air cleaner with RadialSeal™ Sealing Technology.

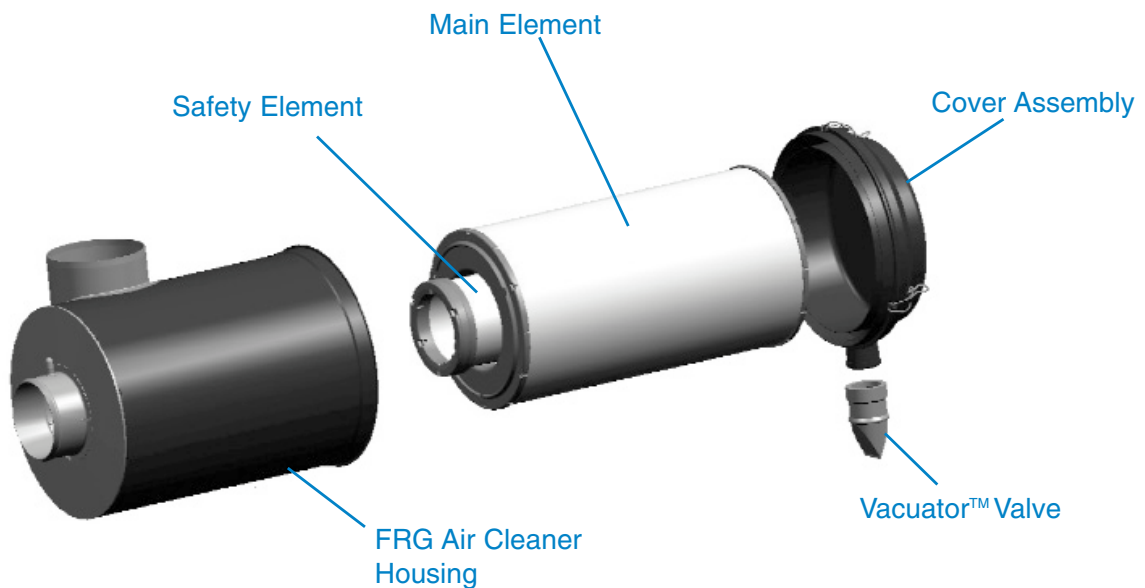
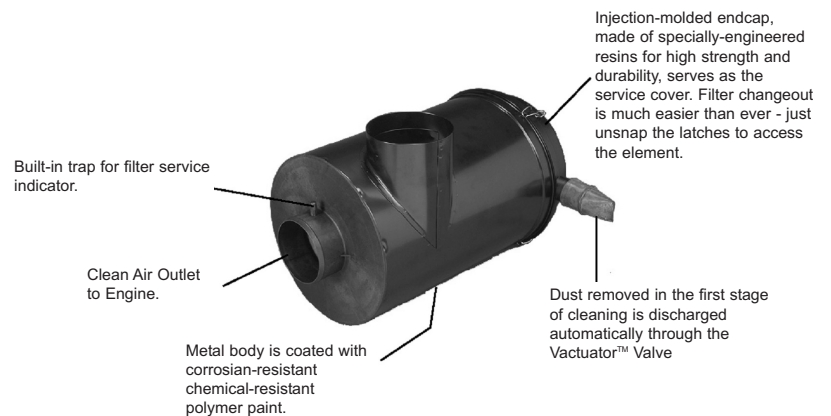
FRG RadialSeal™ Air Cleaners are used on medium- and heavy-duty applications.



Product Description:

- Light weight
- Compact
- Flexible installation
- Two-stage air cleaner
- High tech design
- Proven RadialSeal™ technology
- Restriction indicator tapping point as standard
- Easy to service
- Suitable for medium- to heavy-dust conditions

FRG Structure





FRG RadialSeal™ Specifications

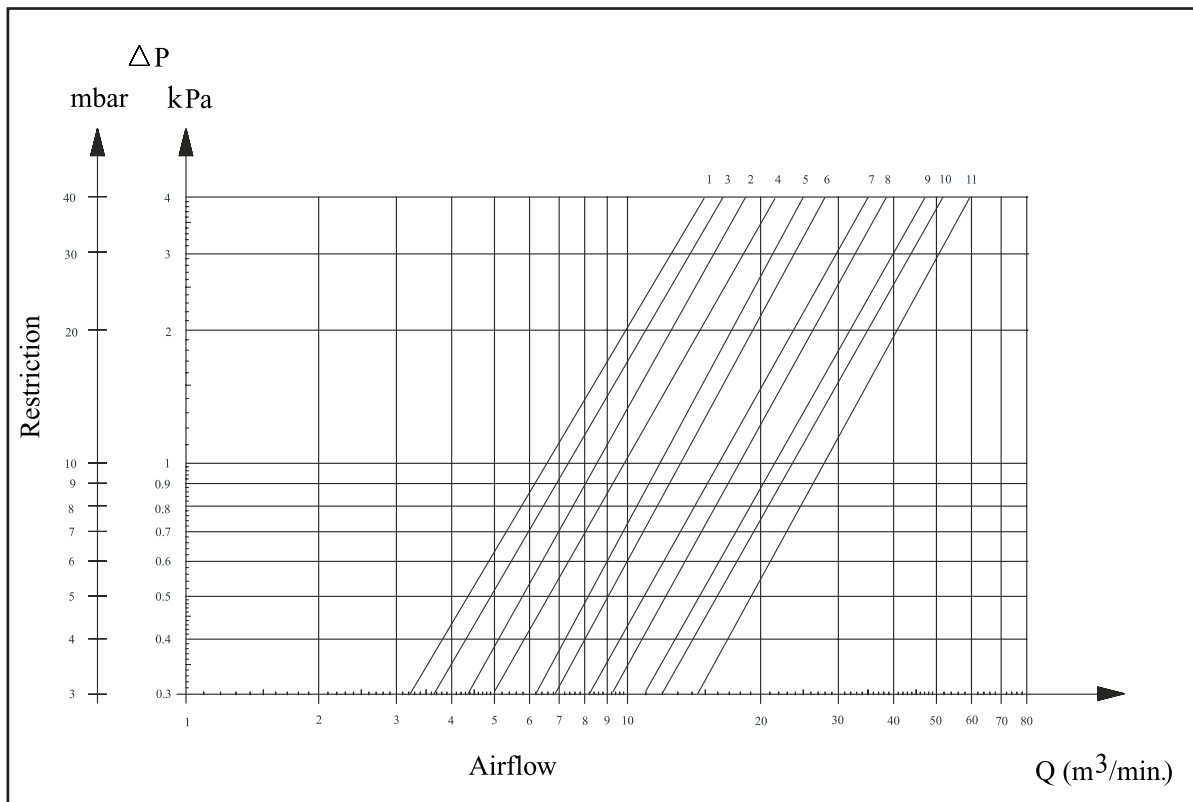
Air Cleaner Model No.	Curve No.	Main Element	Safety Element	Vactuato™ Valve	Raincap	Dust Cap*	Mounting Band**
G100281	1	P777638	P777639	P776008	H770012	P777455	P004076
G100284	2	P777638	-	P776008	H770012	P777453	P004076
G110211	3	P778905	P778906	P158914	H770013	P778366	P004079
G110269	3	P778905	P778906	P158914	H770013	P778366	P004079
G130061	4	P777409	P777414	P776008	H770090	P777408	P013722
G130088	5	P777409	P777414	P776008	H770090	P777408	P013722
G130087	5	P777409	-	P776008	H770090	P777408	P013722
G130113	6	P777409	-	P775569	H770090	P777408	P013722
G130120	6	P780331	P780332	P776008	H770090	P777408	P013722
G150092	7	P777868	P777869	P776008	H770089	P777920	P016845
G150112	7	P777868	P777869	P776008	H770089	P777920	P016845
G150097	8	P777868	-	P776008	H770089	P777920	P016845
G180031	11	P781098	P781102	P105220	H001053	P783185	H770037
G180033	9	P781398	P781399	P105220	H001053	P783185	H770037
G180035	10	P781098	P781102	P105220	H001053	P783185	H770037
G180038	11	P781098	P781102	P105220	H001053	P781084	H770037

* Spare Part only

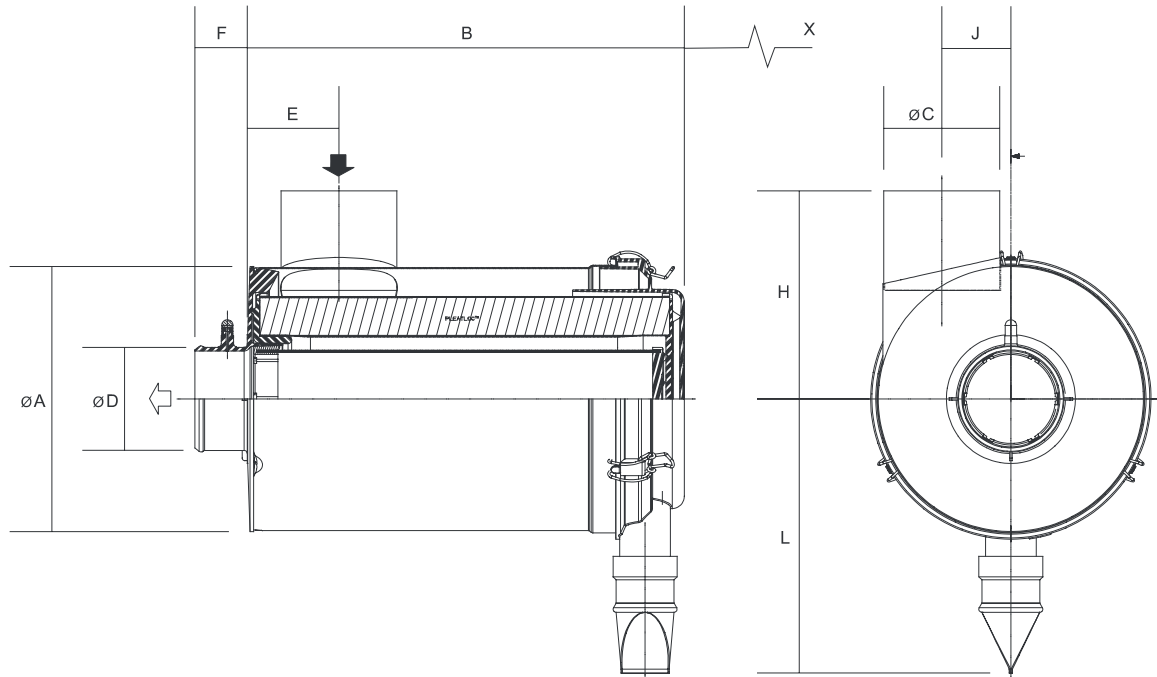
** Two mounting bands needed per air cleaner

When specifying an Air Cleaner...

Determine the Airflow Requirements of your engine, then find the corresponding m³/min. airflow in the table below. The restriction numbers (shown in kPa) indicate the approximate initial restriction of each model air cleaner at that m³/min. If there are two air cleaner models that fit your parameters, choosing the one with the lowest restriction will provide the longest filter service life. When calculating total initial restriction of the entire air intake system, include the restriction caused by ducting, elbows, pre-cleaners, etc..



FRG RadialSeal™ Specifications



Curve No.	Style	Air Cleaner Model No.	Airflow Range m ³ / min.	Dimensions (mm)										
				A	B	C	D	E	F	H	J	L	X ^o	Z ^{oo}
1	FRG	G100281*	6.5 - 14.0	259	430	114	101	90	52	205	68	270	373	107
2	FRG	G100284	6.5 - 15.5	259	430	114	101	90	52	205	68	270	373	107
3	FRG	G110211" *	8.0 - 16.0	279	480	127	114	108	67	191	77	275	373	107
3	FRG	G110269*	8.0 - 16.0	279	480	127	114	108	67	191	77	275	373	107
4	FRG	G130120*	10.0 - 18.0	330	425	152	127	132	58	216	90	301	365	93
5	FRG	G130061*	13.0 - 23.5	330	530	152	127	132	58	216	90	301	470	93
5	FRG	G130088" *	13.0 - 23.5	330	530	152	127	132	58	216	90	301	470	93
6	FRG	G130087	13.0 - 25.0	330	530	152	127	132	58	216	90	301	470	93
6	FRG	G130113"	13.0 - 25.0	330	530	152	127	132	58	216	90	301	470	93
7	FRG	G150092*	16.0 - 32.0	381	530	178	152	140	70	242	103	338	480	93
7	FRG	G150112" *	16.0 - 32.0	381	530	178	152	140	70	242	103	338	480	93
8	FRG	G150097	16.0 - 33.0	381	530	178	152	140	70	242	103	338	480	93
9	FRG	G180033*	20.0 - 42.0	457	510	203	178	128	85	290	128	402	460	130
10	FRG	G180035*	20.0 - 46.0	457	650	203	178	128	85	290	128	402	600	130
11	FRG	G180031*	25.0 - 51.0	457	650	203	203	128	85	290	128	402	600	130
11	FRG	G180038" *	25.0 - 51.0	457	650	203	203	128	85	290	128	402	600	130

" Inlet on opposite side
* Includes safety element

^o In column X above - free space needed to remove main element
^{oo} In column Z above - free space needed to remove cover