

Lincoln industrial pumping equipment



LINCOLN

People, capabilities and systems to save money and increase productivity

Industry leader

Continually satisfying our customers with the world's best lubrication equipment and pumping systems has made Lincoln the largest and most successful company in our field. For over a century, companies have relied on our technical and quality leadership; our world-class manufacturing and customer service, and our vast network of distributors and support facilities.

Research and development

In order to provide the best worldwide and regional application solutions, Lincoln develops new products and systems at research and development facilities in the United States, Germany and India.

Providing solutions

Industrial customers in large processing plants, automotive manufacturing, pulp and paper mills, food and beverage and other manufacturing facilities can depend on solutions from Lincoln. For the toughest mobile applications, on the road or in the field, Lincoln protects heavy equipment used in mining, construction, agriculture and over-the-road trucking. In addition, Lincoln offers the best lubrication equipment to meet the needs of automotive service professionals.

Complete product line

Lincoln supplies automated lubrication systems, pumps and pump stations and top quality lubrication equipment and accessories. Our quality systems in the United States and Germany are ISO 9001 registered and our fittings business is QS 9000 registered.

Worldwide support

With five technical support centers on three continents, and a network of distributors supported by regional sales and service offices, our customers can always draw on our worldwide resources.



<i>Introduction to Industrial Pumping</i>	2
PowerMaster® III	
<i>Introduction</i>	4
<i>Pump Selection Chart</i>	6
<i>Optional Kits for Pumps</i>	8
<i>Pump Accessories</i>	9
<i>Elevators and Primers</i>	10
<i>Primer, Pressure Primer and Air Motor Accessories</i>	11
PileDriver® III	
<i>Introduction</i>	12
<i>Pump Selection Chart</i>	14
<i>Pressure Primers</i>	16
<i>Mounting Accessories</i>	17
Hydro-PowerMaster™	18
Hydraulic PowerMaster Motor	20
Magna-Ram™ Four-Post Pressure Primer	22
System Accessories	23
Ejectors	26
Measuring Valves	27
Diaphragm Pumps	28
Diaphragm Pump Accessories	29
Transfer Pumps	30
Other Pumps	31
Pump Packages	32
Numerical Index	33

Lincoln provides the technologically advanced pumps required for today's demanding applications because we can draw on more than 60 years experience with industrial pumping systems.

Our pumps excel in applications that range from the transfer of lighter fluids (oils, solvents, adhesives, etc.) to the movement of medium-viscosity materials (RTV silicone, greases, coatings, plastisols, offset inks, etc.) to the tough job of pumping very heavy-viscosity materials (ink flushes, epoxies, mastics, etc.).

Our systems are found in diverse industries, including printing and publishing, automotive manufacturing, rotational molding and other demanding industries that require time-proven systems for application of their materials in manufacturing.

PowerMaster® III Pumps

Building upon our success with standard drum pumps, we have taken their design into the 21st century with completely pneumatic, modular air motors and six-inch stroke pumps for greater material output. Accessories include an AirBrake™ option for prevention of pump runaway due to an empty container, a broken supply line or other loss of pump prime. A variety of packing materials ensures correct packing based on material compatibility.

PileDriver® III Pumps

For high-volume applications of viscous materials from standard drums or bulk tanks, these industry-standard pumps incorporate the same completely pneumatic, modular air motors. Along with the AirBrake option and a wide variety of packing materials, PileDriver III pumps feature a patented leakless gland design that protects the pump from gland seal failure and subsequent downtime for replacement.

We have a wide range of system accessories, from pressure primers and other mounting accessories to material control valves, ejectors, measuring valves, air controls and system hardware.

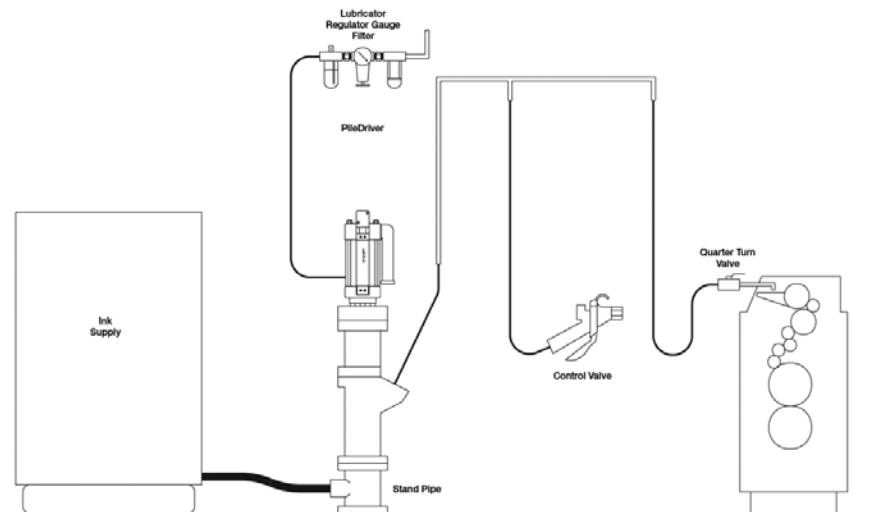
Selection of system accessories is based on general system type and your particular system's needs. Our network of systems house distributors is ready to help design the industrial pumping system that is right for you. Contact the Lincoln Technical Service Department (314-679-4200, ext. 4782) for the name of your nearest systems house distributor.



Transfer System

Material is transferred from its original container to another point. Typically, the simple transfer of low-viscosity fluids through relatively short supply lines requires low pressure, high-volume pumps. If higher viscosity fluids are involved, or longer supply lines are required, a pump capable of higher pressures becomes necessary. Transfer systems transfer:

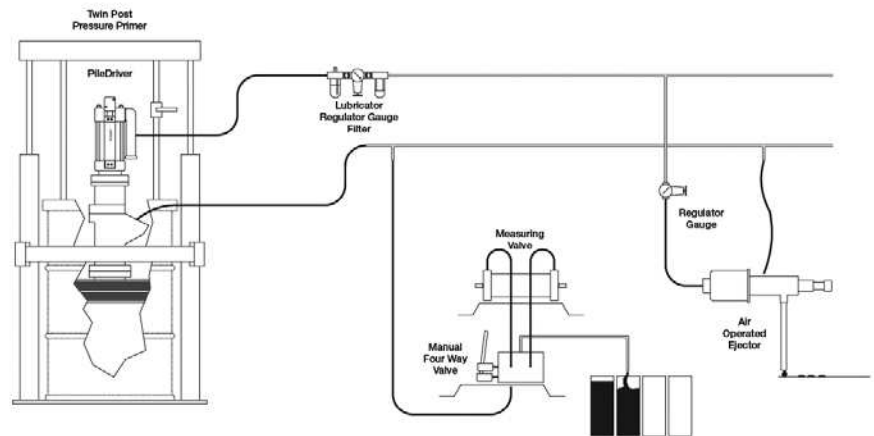
- Printing inks to press fountains.
- Adhesives to reservoirs on packaging machinery.
- Lubricants to smaller containers in remote locations.
- Materials to high-pressure pumps for spray or flow applications.



Measure System

Material is pumped from original containers through the supply lines to measuring valves or ejectors, which in turn meter precise amounts of material to a work piece. Typical measure systems include:

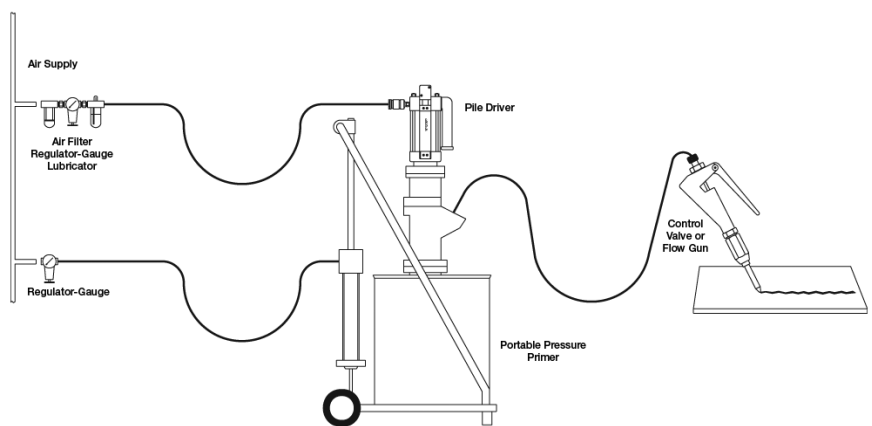
- Multiple shots in patterns of adhesives used to bond substrates, such as automobile hoods and doors.
- Measured lubricant applied to electric motors in appliance manufacturing.
- Single-shot applications of adhesives or sealants used in manufacturing.
- Cartridge filling lines.



Flow System

Material is pumped from the original container through the supply line to a flow gun which applies the material to a work piece. Typical flow systems include:

- Adhesives applied to substrates for bonding in construction and other industries.
- Adhesives used in the manufacture of modular or mobile homes.
- Sealants applied during manufacturing to various parts of vehicles, including sun shields, tail lights, weld lines and hem flanges.
- Recommended for use where normal pump operation does not exceed 45 cycles per minute.





Features

- State-of-the-art, fully pneumatic air motors, 3, 4, 6, 8 inches (76, 101, 152, 203 mm) diameter.
- Full six-inch stroke for greater output per cycle.
- Modular design for easy repair.
- Only five moving parts, no metal-to-metal contact.
- Newly designed pump tubes offer ratios and outputs to fit any application.
- Available to fit any drum or pail size.
- Offered in carbon steel, stainless steel or hard-chrome plated.
- Complete selection of packing materials available.
- Full line of priming equipment and mounting devices.
- Ball-style for fluid materials. Shovel foot-style for high-viscosity, non-fluid materials.

Series III Air Motors

- Full pneumatic operation for longer life and durability—only five moving parts.
- Total modular design for ease of service and maintenance.
- Quiet operation—meets or exceeds OSHA requirements at all recommended operation air pressures.
- Interchangeable with all PowerMaster® III pump tubes.
- Acceptability of pump monitors and controls.



AirBrake™

- Shuts down pump immediately when excessive pump cycle speed (runaway) occurs.
- Prevents pump damage due to a runaway condition.
- Indicates system fault caused by empty container or broken supply line.
- Limits spills due to pump outlet hose failure.
- Sends fault signal to remote alarm locations with optional 244398 signal kit.
- Tamper-proof knob (part number 273835)
- Can be ordered already installed (refer to Pump Specification Chart).
- Can be added later. Order model 85317.
- Easy to install and set—graduated dial with detents.
- Kit 273429 upgrades existing AirBrake-equipped pumps to the latest specifications
- Recommended for use where normal pump operation does not exceed 45 cycles per minute.



See Pump Selection Chart in this section.



Model 84985

Pump Tubes—Ball Foot Design

- For light- to medium-viscosity, fluid materials.
- Available in three styles: stub length for bulk mounting, 55-gallon or 16-gallon drum size.
- Complete packing selection for total chemical compatibility.
- Ratios from 6:1–42:1, outputs to 3.9 gpm (14.6 lit/min.).
- Complete interchangeability with all Series III air motors.
- Exclusive, patented, “leakless” gland assembly kit is available as an accessory.



Model 84991

Pump Tubes—Shovel Foot Design, Plunger and Bushing Style

- For medium- to high-viscosity, non-fluid materials.
- Available in 55-gallon or 16-gallon drum lengths, or mounts on pressure primer for very high-viscosity materials.
- Full range of ratios: 12:1 through 84:1 for all applications.
- Selected fit, hardened steel plunger and bushing is particularly well suited to viscous lubricants.
- No washers, o-rings or packings to replace on pump piston for ease of maintenance.
- Shovel foot adds mechanical priming to normal suction, assures positive prime with the most viscous of lubricants.
- Complete interchangeability with all Series III air motors.
- Exclusive patented, leakless gland assembly kit (to protect gland seal—the only seal in pump tube) is available as an accessory.



Model 84976

Pump Tubes—Shovel Foot Design, Packed Piston-Style

- Furnished with exclusive, patented, leakless gland assembly.
- For medium- to high-viscosity, non-fluid materials.
- Available in 55-gallon or 16-gallon drum lengths; also suitable for mounting on priming equipment or standpipe mounting for bulk delivery.
- Full range of packing materials available for product compatibility.
- Complete interchangeability with all Series III air motors.
- Full range of ratios: 10:1 through 80:1.
- Specifically designed to enhance growing market for dispensing industrial-type materials: sealants, adhesives, urethanes, inks, etc.

See Pump Selection Chart in this section.

Industrial Pumping Equipment

PowerMaster® III Pump Selection Chart



Low- to Medium-Viscosity Pumps—Carbon Steel for Transfer of Non-Corrosive Materials

Ball Pumps

Ratio	Pump Model Std. Air Motor Only	Pump Tube Style	Air Motor Model	Diameter in. / mm	Pump Tube Model	Material Outlet N.P.T.F.	Output per cycle cu. in / cc	Approximate Cycles per gal / liters
24:1	2021	55 gal	Std. 84806 w/ AirBrake *94906	6 / 152	84985	¾"	11.9 / 195	20 / 5
12:1	2001							
	2014	Stub	Std. 84804 w/ AirBrake *94904	4¼ / 108	84986			
6:1	2052	55 gal	Std. 84803	3 / 76	84985			
	2051	Stub			84986			

Shovel Foot Pumps—Packed Piston

32:1	*2076	16 gal	Std. 84804 w/ AirBrake *94904	4¼ / 108	84979	¾"	4.6 / 75	51 / 13
22:1	*2075	16 gal			84977		6.7 / 110	35 / 9
10:1	*2066	55 gal	Std. 84803	3 / 76	84976			

Shovel Foot Pumps—Plunger and Bushing

80:1	2023	55 gal	Std. 84806 w/ AirBrake *94906	6 / 152	84993	¾"	3.7 / 61	63 / 16	
75:1	2004	55 gal			Std. 84804 w/ AirBrake *94904		4¼ / 108	84997	2.1 / 34
	2008	16 gal	84998	3.0 / 49				78 / 20	
50:1	2010	55 gal	84995						6.1 / 100
	2011	16 gal	84996						
24:1	2002	55 gal	84806	6 / 152				84991	10.9 / 179
	2030	Stub				84918			
	2031	55 gal			84919				
12:1	2028	Stub	84804	4¼ / 108	84918				
	2029	55 gal			84919				

* Order pump tube and air motor separately for these models or when ordering AirBrake™ equipped models.

Other PowerMaster Air Motor/Pump Tube Combinations (all feature ¾" NPTF Material Outlet)

Carbon Steel Ball-Type

Ratio	Pump Tube Style	Air Motor Model	Pump Tube Model	Max. GPM/LPM Free Delivery 70 CPM
42	55 gal	Std. 84808 w/ AirBrake *94908	84985	3.9 / 14.6
	16 gal		84984	
	Stub		84986	
24:1	16 gal	Std. 84806 w/ AirBrake *94906	84984	
	Stub		84986	
12:1	16 gal	std.84804 W/Air Brake*94904	84984	

Carbon Steel Shovel-Type Plunger & Bushing

Ratio	Pump Tube Style	Air Motor Model	Pump Tube Model	Max. GPM/LPM Free Delivery 70 CPM
84:1	55 gal	Std. 84808 w/ AirBrake *94908	84991	2.0 / 7.5
	16 gal		84992	
80:1	16 gal	Std. 84806 w/ AirBrake *94806	84994	1.2 / 4.5
48:1	55 gal		84991	2.0 / 7.5
	16 gal	84992		
75:1	55 gal	Std. 84804 w/ AirBrake *94904	84999**	0.7 / 2.6
40:1			84993	1.2 / 4.5
	16 gal	84994		
24:1	16 gal		84992	2.0 / 7.5
36:1	55 gal	Std. 84803	84999**	0.7 / 2.6
	16 gal		84997	
24:1	55 gal		84998	1.0 / 3.7
	16 gal		84995	
20:1	55 gal		84996	1.2 / 4.5
	16 gal		84993	
12:1	55 gal	84994	2.0 / 7.5	
	16 gal	84991		

* Order pump tube and air motor separately.

** For severe environment where gland nut is subject to external contamination.

Carbon Steel Shovel-Type Packed Piston

Ratio:	Pump Tube Style	Air Motor Model	Pump Tube Model	Max. GPM/LPM Free Delivery 70 CPM
80:1	55 gal	Std. 84808 w/ AirBrake *94908	84976	2.2 / 8.2
	16 gal		84977	
64:1	55 gal	Std. 84806 w/ AirBrake *94906	84978	1.5 / 5.7
	16 gal		84979	
44:1	55 gal		84976	2.2 / 8.2
	16 gal		84977	
32:1	55 gal	Std. 84804 w/ AirBrake *94904	84978	1.5 / 5.7
22:1	55 gal		84976	2.2 / 8.2
15:1	55 gal	Std. 84803	84978	1.5 / 5.7
	16 gal		84979	
10:1	16 gal		84977	2.2 / 8.2

Ball Pumps

Gallons / Liters Per Minute			Min. ID Air Supply Hose in. / mm	Air Consumption Per Cycle			
30 CPM	50 CPM	75 CPM		S.C.F.M. @ 70 psig	M ³ /Min. @ 4.8 bar	S.C.F.M. @ 100 psig	M ³ /Min. @ 6.8 bar
1.5 / 5.8	2.6 / 9.7	3.9 / 14.6	½" / 12	1.1	0.031	1.6	0.045
			¾" / 10	0.8	0.023	1.1	0.031
			¾" / 10	0.5	0.014	0.7	0.02

Shovel Foot Pumps—Packed Piston

0.6 / 2.3	0.9 / 3.3	1.5 / 5.7	½" / 12	0.8	0.023	1.1	0.031
0.9 / 3.3	1.5 / 5.5	2.2 / 8.2					
0.9 / 3.3	1.5 / 5.5	2.2 / 8.2	¾" / 10	0.5	0.014	0.7	0.02

Shovel Foot Pumps—Plunger and Bushing

0.5 / 1.8	0.8 / 3.0	1.2 / 4.5	½" / 12	1.1	0.031	1.6	0.045
0.3 / 1.0	0.5 / 1.7	0.7 / 2.6		0.8	0.023	1.1	0.031
0.4 / 1.5	0.6 / 2.5	1.0 / 3.7					
0.8 / 3.0	1.3 / 5.0	2.0 / 7.5		1.1	0.031	1.6	0.045
1.4 / 5.4	2.4 / 8.9	3.5 / 13.4		0.8	0.023	1.1	0.031

Note: Air motors and pump tubes shipped separately. Assembly required.

Other PowerMaster Air Motor/Pump Tube Combinations (all feature ¾" NPTF Material Outlet)

Hardened Steel Ball-Type

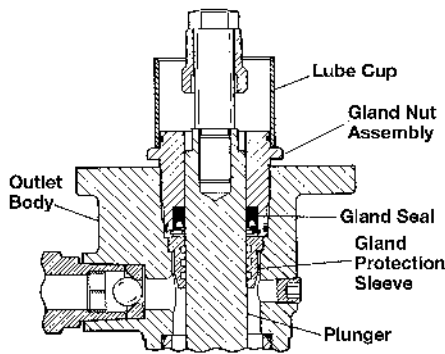
Ratio	Pump Tube Style	Air Motor Model	Pump Tube Model	Max. GPM/LPM Free Delivery 70 CPM
42:1	55 gal	84808 w/ AirBrake *94908	84983	3.9 / 14.6
24:1		84806 w/ AirBrake *94906		
12:1		84804 w/ AirBrake *94904		
6:1		84803		

Chrome Plated Ball-Type

Ratio	Pump Tube Style	Air Motor Model	Pump Tube Model	Max. GPM/LPM Free Delivery 70 CPM
42:1	55 gal	84808 w/ AirBrake *94908	84982	3.9 / 14.6
24:1		84806 w/ AirBrake *94906		
12:1		84804 w/ AirBrake *94904		
6:1		84803		

Stainless Steel Ball-Type

Ratio	Pump Tube Style	Air Motor Model	Pump Tube Model	Max. GPM/LPM Free Delivery 70 CPM
42:1	55 gal	Std. 84808 w/ AirBrake *94908	84981	3.9/14.6
	Stub		84987	
24:1	55 gal	Std. 84806 w/ AirBrake *94806	84981	
	Stub		84987	
12:1	55 gal	Std. 84804 w/ AirBrake *94804	84981	
	Stub		84987	
6:1	55 gal	84803	84981	
	Stub		84987	



Patented* Leakless Gland Assembly

The gland seal of all reciprocating positive displacement pumps is its weakest point and is the single most common cause of pump failure, lost downtime and maintenance expense. Lincoln's new gland design uniquely addresses the causes for premature gland seal failure.

A special protective bushing (or sleeve) with concentric grooves creates a labyrinth path to reduce the internal operational pressure as well as the pressure fluctuations developed during pump stroke changeover.

Leakless gland assembly is standard with packed piston pumps and is available for all PowerMaster III pumps as an accessory.

* U.S. Patent No. 4,976,192

Gland Protection Sleeves



Model 86214

Order Model	For Pump Tubes
86214	All Ball Foot Design Pump Tubes
86215	84997 & 84998
86216	84993 & 84994
86217	84995 & 84996
86218	84991 & 84992

Model 86213 Lube Cup Kit

For all PowerMaster® III pump tubes. Used in conjunction with the gland protection sleeve to prolong service life of gland packing. Prevents material from drying out on plunger.



Model 86213

Packing Kits for PowerMaster® III Pump Tubes

Lincoln offers alternate packing kits of PTFE for some PowerMaster III pump tubes because many materials used in today's manufacturing environment may not be compatible with the standard seals. Please consult Lincoln for compatibility of the material to be dispensed with standard packings or alternate packing kits.



Model 84502

Pump Tube	PTFE Kit
84982	84502
84984	
84985	
84986	
84987	

Model 86268 3" Male Camlock Adapter for PowerMaster® III Pump Tubes

Adapts Lincoln PowerMaster pump tubes to tanks and totes equipped with 3" female mil spec camlock outlet.



Model 86268



Model 81412



Model 83166



Model 81538



Model 83369



Model 83132



Model 84963



Model 84826



Model 84945



Model 16177



Model 84377



Model 83727

Drum Covers
Model 81412

Standard 55-gallon drum cover for mounting PowerMaster III series drum pumps on full, open drums.

Model 83166

Special 55-gallon drum cover for mounting PowerMaster III series drum pumps on full, open drums. Includes port for installation of material agitator.

Model 81538

Standard 16-gallon drum cover for mounting PowerMaster III series drum pumps on full, open drums.

Follower Plates

Model 83369

For 400-pound drums.

Model 84780

For 120-pound drums.

Model 83132 Bung Bushing

This 55-gallon drum bung bushing screws into the bung opening of the drum to secure any Lincoln PowerMaster III pump.

Model 84963 Flange Mounting Assembly

Used for rigid mounting of PowerMaster III pumps to the top of fabricated bulk tanks.

Model 84826 Wall Mount Bracket Kit

For PowerMaster III air motor assemblies.

Model 84945 Suction Kit

Used with PowerMaster III stub pumps for convenient transfer of petroleum products from drums, bulk tanks or reservoirs. Includes bung bushing suction tube, hose and coupling assembly and other hardware.

2"x1" bell reducer required—not included.

Model 16177 Foot Valve Adapter

Converts inlet of models 84984 and 84985 Ball-Type PowerMaster III pumps to 1½" NPTF female thread for attaching extension pipe.

Drum Dollies

Model 84377

55-gallon (400 lbs) band-type drum dolly with four swivel casters and screw clamps.

Model 84192

16-gallon (120 lbs) band-type drum dolly with four swivel casters and screw clamps.

Model 83727 Standpipe/Model 83732 Adapter Kit

Use of model 83732 adapter & bracket kit will enable PowerMaster III pumps to be assembled to model 83727 stand pipe for pumping from bulk tanks. Inlet 3" NPT female.

Elevator, Primer and Pressure Primers

Lincoln's mounting accessories include an elevator (Model 1709) to facilitate drum change-over by lifting the pump from an empty drum and lowering it into a new drum with minimum effort. Primers and pressure primers are available for positive priming of viscous materials which are forced into the pump inlet by the downward force of the follower. Models are available for most applications from 5-gallon pails to 55-gallon drums. Models include followers with O-ring seals (single O-rings for 5-gallon pail units and double O-rings for 55-gallon drum units) which seal the container of material from outside contamination and drying while wiping the container's sides clean.

Pressure primers include a four-way valve which permits the air supply to be coupled to the unit at all times. Use of an air regulator and gauge is recommended. In order to prevent damage to pumps caused by operating after a drum is empty, a low-level air cut-off assembly is recommended.



Model 1709

Model 2716



Model 1701

Model 1704



Model 1736

Model	For Drum Size Gal.	Description	Operating Air Pressure psi / bar	Priming Pressures PSI / Bar		Height		Base Dim. in. / mm
				@70 4.9	@100 7	Lowered in. / cm	Raised in. / cm	
1709	55	Single Post Elevator	50-200 / 3-14			73 / 185.4	112 / 284.5	NA Beam Length 19 / .5 360° Rotation
2716	55	Single Post Pump Hoist & Follower for low- to med.-viscosity materials 100K to 200K centipoise range	40-200 / 3-14	NA	NA	73 / 185.4	110½ / 280.7	12½ x 14 317.5 x 355.5
1701 **	5	Single Post for viscous material over 500K centipoise	30-150 / 3-10	4.4 .3	6.3 .44	42½ / 108	50½ / 128	22¼ x 22¼ 600 x 600
1704	55		40-100 / 3-7	5 .35	7.1 .5	89 / 226	89 / 226	26 x 26 700 x 700
1736	55	Twin Post for viscous materials in the 200K to 500K centipoise range	40-150 / 3-10	2.7 .2	3.7 .26	66⅞ / 167.6	103 / 261.6	24 x 36 600 x 1000

Notes:

**Model 83943 portability kit is available for Model 1701. Includes axle and wheels.

For pressure primers for 120 lb. drum pumps or for follower rings of materials other than standard Buna-N, contact Lincoln Technical Services.

Note:

Pumps not included with pressure primers.



Low-Level Air Cut-Off Assembly
Model 83811

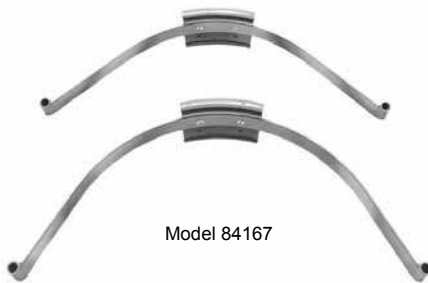
For use with Model 1704 pressure primer. Mounts directly to elevator support. Automatically shuts off air flow to pump when drum of material is emptied. Eliminates unnecessary parts wear caused by continuous pump action when drum is empty. Inlet 3/4" N.P.T.(F).

Model 83970

Same as Model 83811, except for use with Model 2716.

Model 84143

Same as Model 83811 except for use with Model 1736.



Model 84167

Chimeless Drum Kits

Because some materials are supplied in straight-sided or chimeless drums, Lincoln has developed hold-down kits which facilitate follower and pump extraction from these drums. Kits are available as follows:

Kit No.	For model PowerMaster® III
84167	1704
84503	1736



Model 85387-8
 Included in 84144 Kit

Airline Kits for Primer and Pressure Primers
Model 84144

Includes filter-lubricator-regulator, bracket and fittings to adapt air accessories to Models 2716, 1736 and 1704. Includes 1/2" controls.

Model 84141

Same as Model 84144, except includes 3/4" controls.



Model 84722

Model 84722 Series III Air Motor Exhaust Adapter

Replaces standard muffler. Converts exhaust port to 3/4" NPT female thread.



Model 84723

Model 66764 Muffler with 3/4" NPT Male Thread

Fits on Model 84722.

Model 84723 Series III Air Motor Cover Panel Kit

Metal cover fits over tie rods. Encloses moving plunger rod.



Series III Air Motor Features

- These fully pneumatic air motors reverse stroke direction without mechanical linkages and are simpler and more reliable than older designs.
- Air motors are 3, 4, 6, 8 and 10 inches (76, 101, 152, 203 and 254 mm) diameter.
- An air signal valve activates a relay valve at the end of each stroke.
- The shifting relay valve changes the power valve position.
- The power valve shifts air flow to the opposite side of the power piston to reverse stroke direction.
- Modular Construction: Air motors are easy to install, maintain and upgrade with options like AirBrake™.
- Built-in Muffler: Meets or exceeds OSHA requirements at recommended air pressures.
- AirBrake Options: Stops runaway pump, prevents product spills, damage and excess wear and activates an optional remote alarm device. AirBrake available already installed (refer to pump specification charts) or can be ordered separately as Model 85317. For remote monitoring of AirBrake, order Model 244398 signal kit.

PileDriver Series III Pump Tube Features

- Machined inlet casting: Set screws secure the inlet assembly and permit 360° outlet adjustment to facilitate system plumbing and provide for easy pump removal/replacement.
- Cartridge-type gland with scrapers and patented protection bushing: Extends the life of gland packings by protecting them from excessive material build up and pressure fluctuations. Cartridge removes easily for routine service.
- Straight-through pump tube and piston-port design: Reduces internal friction and the opportunity for solids entrapment.
- Load-bearing, chrome-plated internal pump tube surface: Distributes forces between gland and pump tube to prolong seal life.
- Choice of inlets: Shovel-type for thick material or flat check for higher flow rates.

* Air motor available separately.



*Model 84921



Model 84904

Industrial Pumping Equipment

PileDriver® III Pump Selection Chart



Ratio	Pump Model Std. Air Motor Only	Air Motor Model & Dia. in. / mm	Pump Tube Model	Pump Tube Style	Output Per Cycle		Approximate Cycles per gal / liters	Stroke Length in. / cm
					cu. in.	cc		
75:1	2375	Std. 86810 w/ AirBrake 94910 10 / 254	84902	Shovel	12	196	20 / 5	6 / 152
42:1	2342		84900		22	360	11 / 3	
20:1	2320		84921		44	721	5 / 1	
	2321		84922	Flat Check	46	754		
	** 2335		85922					
45:1	2322	Std. 84808 w/ AirBrake *94908 8 / 203	84902	Shovel	12	196	20 / 5	
35:1	2323		84901		17	278	14 / 4	
25:1	2325		84900		22	360	11 / 3	
	2326		84921		44	721	5 / 1	
13:1	** 2334		85922	Flat Check	46	754	5 / 1	
6:1	2328		84923	Flat Check	85	1393	3 / ½	
25:1	2349		Std. 84806 w/ AirBrake *94906 6 / 152	84902	Shovel	12	196	
20:1	2350	84901		17		278	14 / 4	
15:1	2352	84900		22		360	11 / 3	
	2353	84921		44		721	5 / 1	
7:1	** 2333	85922		Flat Check	46	754	5 / 1	
3:1	2356	84923		Flat Check	85	1393	3 / ½	
7:1	* 2367	Std. 84804 w/ AirBrake *94904 4 1/4 / 108		84900	Shovel	22	360	11 / 3
3:1	* 2368			84921		44	721	5 / 1
			** 2332	85922	Flat Check	46	754	5 / 1

* Order pump tube and air motor separately when selecting 3" and 4" air motors and AirBrake-equipped models.

** Same as standard PileDriver III except mounts with standard 2.5" NPTF(F) or 3" NPTF(M) pipe inlet.

Packing Kit Selection Chart



Model 84913

Pump Tube	Standard Polyurethane Kit	PTFE Kit	UHMW Polyethylene Kit
84900	84907	84912	84913
84901	84911	84905	84906
84902	84908	84914	84915
84904	84909	—	84917
84921	84927	84928	84929
84922	84930	84931	—
84923	84924	84925	

Note: Standard polyurethane seal kits include all soft seals. PTFE and UHMW polyethylene seal kits include gland and piston u-cups only.

Gland Seal Kits



Model 85311

Pump Tube	Standard Polyurethane Kit	PTFE Kit	UHMW Polyethylene Kit
84900	--	85321	85327
84901	--	--	--
84902	--	85323	--
84904	85314	85324	--
84921	85315	85325	--
84922	85315	85325	--
84923	--	85326	--

Note: Gland seal kits include gland u-cup and o-ring only.

Industrial Pumping Equipment

PileDriver® III Pump Selection Chart



Air Inlet	Pump Output GPM / LIT/Min.			Max. Outlet Press. psi / bar	Min. ID Air Supply Hose in. / mm	Material Outlet	Approximate Air Consumption per Cycle		
	@ 30 cpm**	@ 50 cpm**	@ 75 cpm**				SCFM @ 70 psig M ³ /Min @ 4.8 bar	SCFM @ 100 psig M ³ /Min @ 6.8 bar	
¾ NPT Female	1.5 / 5.9	2.6 / 9.8	3.9 / 14.9	7500 / 517	¾ / 20	1½ NPT Female	2.5 / 0.071	3.6 / 0.10	
	2.8 / 10.8	4.8 / 18.0	7.1 / 27.0	4200 / 290					
	5.7 / 21.6	9.5 / 36.0	14.3 / 54.0	2000 / 138					
	5.8 / 22.6	9.9 / 37.7	14.9 / 56.5						
	1.5 / 5.9	2.6 / 9.8	3.9 / 14.9	4500 / 310					
	2.2 / 8.3	3.7 / 13.9	5.5 / 20.8	3500 / 241					
	2.8 / 10.8	4.8 / 18.0	7.1 / 27.0	2500 / 172			1.9 / 0.054	2.6 / 0.074	
	5.7 / 21.6	9.5 / 36.0	14.3 / 54.0	1300 / 90					
	5.8 / 22.6	9.9 / 37.7	14.9 / 56.5	2000 / 138					
	11.0 / 41.7	18.4 / 69.6	27.6 / 104.5	600 / 41					
	1.5 / 5.9	2.6 / 9.8	3.9 / 14.9	2500 / 172					
	2.2 / 8.3	3.7 / 13.9	5.5 / 20.8	2000 / 138					1.1 / 0.031
	2.8 / 10.8	4.8 / 18.0	7.1 / 27.0	1500 / 104					
	5.7 / 21.6	9.5 / 36.0	14.3 / 54.0	700 / 48					
	5.8 / 22.6	9.9 / 37.7	14.9 / 56.5	2000 / 138					
	11.0 / 41.7	18.4 / 69.6	27.6 / 104.5	300 / 21					
	2.8 / 10.8	4.8 / 18.0	7.1 / 27.0	1400 / 97			½ / 12	0.8 / 0.023	
	5.7 / 21.6	9.5 / 36.0	14.3 / 54.0	600 / 41			¾ / 10	0.5 / 0.014	
5.8 / 22.6	9.9 / 37.7	14.9 / 56.5	300 / 21	½ / 12					

Note: Air motors and pump tubes shipped separately. Assembly required.

** Cycles per minute.

Other PileDriver Pump Tube/PowerMaster Air Motor Combinations

Ratio	Air Motor Model & Dia. in. / mm	Pump Tube Model	Pump Tube Style	Max. GPM / LPM Free Delivery @ 75 cpm	Max. Outlet Press. psi / bar
55:1	Std. 86810	84901	Shovel	5.5 / 20.8	5500 / 379
45:1	w/ AirBrake *94910	84904	Flat Check	5.8 / 22.0	4500 / 311
10:1	10 / 254	84923		27.6 / 104.5	1000 / 69
30:1	Std. 84808	84904		5.8 / 22.0	3000 / 207
13:1	w/ AirBrake *94908 8 / 203	84922		14.9 / 56.5	1300 / 90
18:1	Std. 84806	84904		5.8 / 22.0	1800 / 124
7:1	w/ AirBrake *94906 6 / 152	84922		14.9 / 56.5	700 / 48
12:1	Std. 84804 w/ AirBrake *94904 4¼ / 108	84902	Shovel	3.9 / 14.9	2400 / 166
10:1		84901		5.5 / 20.8	2000 / 138
8:1		Flat Check	84904	5.8 / 22.0	1600 / 110
3:1			84922	14.9 / 56.5	600 / 41
1.5:1			84923	27.6 / 104.5	300 / 41
6:1			84902	Shovel	3.9 / 14.9
4:1	84901	5.5 / 20.8	800 / 55		
3:1	84900	7.1 / 27.0	600 / 41		
1.5:1	84921	14.3 / 54.0	300 / 21		
4:1	84904	5.8 / 22.0			
1.5:1	84922	Flat Check		14.9 / 56.5	
1:1	85922		27.6 / 104.5	200 / 14	
1:1	84923	84923	Flat Check	27.6 / 104.5	200 / 14

* Order pump tube and air motor separately when selecting 3" and 4" air motors and AirBrake-equipped models.

Pressure Primer Features

- Positive priming force on the material.
Downward force of the follower forces material into the pump inlet. This assures positive priming of high-viscosity materials.
- Follower has an Elastomer seal.
Wipers, single o-rings or double o-rings seal against the material container's sides. This prevents drying and contamination of the material and wipes the container's sides clean.
- Four-way air valve control.
This directional valve controls up/down movement of the follower. Primer unit remains coupled to the air system at all times. (Use of an air regulator and gauge is recommended).
- Primers available for a wide range of material container sizes.
Lincoln has primers for 5- and 55-gallon material containers. You can match the primer to the container size required for your application.



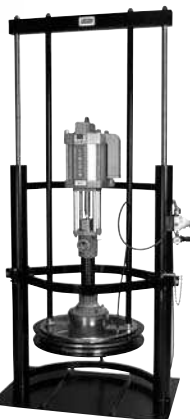
Model 2719



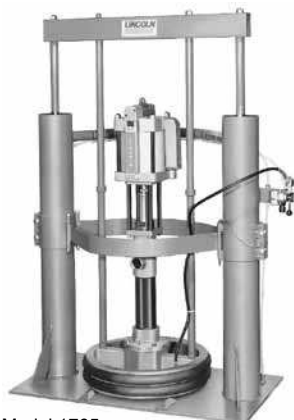
Model 83274



Model 2718



Model 1735



Model 1765

Model	For U.S. Drum Size gal	Description	Operating Air Pressure psi / bar	Priming Pressure psi / bar	
				@70/5	@100/7
2718 *	5	Single Post for viscous material over 500K centipoise	30-150 / 2-10	4.4 / .3	6.3 / .44
83274 ***	55	Single Post for viscous material over 500K centipoise	40-100 / 3-7	5 / .35	7.1 / .5
2719 ***	55	Single Post Pump Hoist & Follower for low- to medium viscosity materials 100K to 200K centipoise range	40-200 / 3-14	**Not applicable	**Not applicable
1735	55	Twin Post (Twin 3") for viscous materials in the 200K to 500K centipoise range	40-150 / 3-10	2.7 / .2	3.7 / .26
1765	55	Twin Post (Twin 6") for viscous materials over 500K centipoise	40-100 / 3-7	8.5 / .57	12 / .8

** Gravity priming pressure

Model	Height		Base Dim. in. / mm
	Lowered in. / cm	Raised in. / cm	
2718 *	42.5 / 108	50.25 / 128	22.25 x 22.25 / 600 x 600
83274 ***	89 / 226	89 / 226	26 x 26 / 700 x 700
2719 ***	73 / 185.4	110.5 / 280.7	12.5 x 14 / 317.5 x 355.5
1735	66.125 / 167.6	103 / 261.6	24 x 36 / 600 x 1000
1765	66.125 / 167.6	103 / 261.6	24 x 36 / 600 x 1000

*Model 83943 portability kit is available for Model 2718. Includes axle and wheels.

*** Use only 8" and smaller air motors with Models 2719 and 83274.

Note: Units show pumps for illustrative purposes only. Order pump separately.

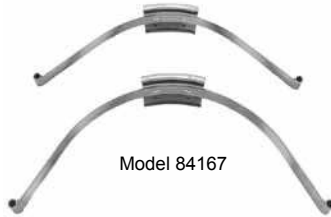


Model 83727

Model 83727 Standpipe Assembly

Mounts PileDriver III pump on floor to accept suction line from bulk tank.

Model	Inlet	Height	Diameter
83727	3" NPTF	7 1/2" / 190 mm	8" / 200mm



Model 84167

Chimeless Drum Kits

Because some materials are supplied in straight-sided or chimeless drums, Lincoln has developed hold-down kits which facilitate follower and pump extraction from these drums. Kits are available as follows:

Kit No.	For model PowerMaster® III
84167	1704
84503	1736



Model 84722

Model 84722 Series III Air Motor Exhaust Adapter

Replaces standard muffler. Converts exhaust port to 3/4" NPT female thread.



Model 84723

Model 84723 Series III Air Motor Cover Panel Kit

Metal cover fits over tie rods. Encloses moving plunger rod.

Low-Level Air Cutoff Kits

Shuts air off when drum is empty. Prevents pump damage and introduction of air into supply line. 3/4" NPT female connections.

Model	For Primer
83811	83274
83970	2719
84143	1735, 1765



Model 83811

Air Line Kits for Primers

Includes filter-lubricator-regulator-gauge, bracket and fittings for Models 2719, 1735, 1765 and 83274.

Model	Description
84144	1/2" Air Line Kit
84141	3/4" Air Line Kit



Model 85387-8
Included in 84144 Kit



Model 85300

**Hydraulic Motor for PowerMaster® III
 and PileDriver® III Pump Tubes**

- Safe to use where electric or pneumatic motors may be hazardous.
- Virtually eliminates concerns about air supply condition and exhaust emissions
- Efficiently generates high material pressure and flow rate with minimum hydraulic power consumption.
- Few internal moving parts. No mechanical linkages or solenoids to fail or wear out.
- A completely internal changeover circuit requires no external signal for reciprocating action.
- A balanced cylinder design eliminates the need for separate up and down stroke adjustments.
- All key components are machined from steel or aluminum to ensure long service life in the toughest applications.
- Hydro-PowerMaster was designed and is manufactured under the strict conditions of an ISO 9001 registered quality system.

Model	Cylinder Dia. in. / cm	Piston Rod Dia. in. / cm	Stroke Length in. / cm	Hydraulic Fluid Inlet	Hydraulic Fluid Outlet
85300	2 / 5	1 1/8 / 3.5	6 / 15	SAE 8 (f)	SAE 10 (f)

Hydraulic Operating Pressure Range psi / bar	Operating Temp. Range	Hydraulic Fluid Flow Consumption Rate	Maximum Recommended Continuous Speed	Wetted Part Materials
300 to 1500 20.4 to 103	-30°F to 200°F / -34°C to 93°C	18.8 cu. in./cycle or 1 gallon/12 cycles	75 cycles/minute	Steel, aluminum, bronze, Nitrile, PTFE, Polyurethane



PowerMaster® III

**PowerMaster® III Hydraulic Powered Pumps
with 85300 Hydro-PowerMaster® Hydraulic Motor**

With This Pump Tube	Nominal Ratio	Drum Size	Material Outlet NPTF	Operating Hydraulic Inlet Pressure Range psi (bar)*	Maximum Delivery Pressure psi / bar	Max. Free Del. @75 Cycles/Min. Gallons / Liters		
84985	1.5:1	55 gal	3/4"	500 to 1,500 (34 to 103)	1,900 / 131	3.9 / 14.6		
84983								
84982								
84981		16 gal						
84984								
84986		stub						
84987								
84976	2.5:1	55 gal		500 to 1,500 (34 to 103)	3,000 / 206	2.2 / 8.2		
84977		16 gal						
84978	4:1	55 gal						
84979		16 gal						
84991	3:1	55 gal						
84992		16 gal						
84993	4.5:1	55 gal						
84994		16 gal						
84995	5:1	55 gal						
84996		16 gal						
84997	7:1	55 gal	500 to 1,000 (34 to 69)				7,000 / 483	0.7 / 2.6
84998		16 gal						

See PowerMaster III section for pump tube specifications, mounting devices and accessories.

***Caution:** Do not exceed maximum hydraulic inlet pressure listed for each motor/pump tube combination.



PileDriver® III

**PileDriver® III Hydraulic Powered Pumps
with 85300 Hydro-PowerMaster® Hydraulic Motor**

With This Pump Tube	Nominal Ratio	Material Outlet NPTF	Operating Hydraulic Inlet Pressure Range psi (bar)*	Maximum Delivery Pressure psi / bar	Max. Free Del. @75 Cycles/Min. Gallons / Liters
84900	0.8:1	1 1/2"	500 to 1,500 (34 to 103)	1200 / 83	7.1 / 27.0
84901	1:1			1500 / 103	5.5 / 20.8
84902	1.5:1			2250 / 155	3.9 / 14.9
84904	1:1			1500 / 103	5.8 / 22.0
84921	0.4:1			600 / 41	14.3 / 54.0
84922					14.9 / 56.5
84923	0.2:1			300 / 21	27.6 / 104.5

See PileDriver III section for pump tube specifications, mounting devices and accessories.

***Caution:** Do not exceed maximum hydraulic inlet pressure listed for each motor/pump tube combination.

Hydraulic PowerMaster® Motor

Rugged design with minimum moving parts, maximum reliability and durability in heavy-duty applications

- Two motor sizes available
- Expands pumping capability to higher pressure and/or higher volume applications
- Internal logic provides smooth changeover for each stroke
- No need for external pressure or limit switches and solenoid valves
- Responds immediately to changes in grease volume/pressure demands
- Versatile – designed to deliver effectively in transfer and automated lubrication
- Use with Lincoln’s PowerMaster and PileDriver pump tube



Model 86300



Model 86400

Model	Cylinder Dia. in. / cm	Piston Rod Dia. in. / cm	Stroke Length in. / cm	Hydraulic Fluid Inlet	Hydraulic Fluid Outlet
86400	3½ / 8.9	2½ / 6.4	6 / 15.2	SAE 10 (f)	SAE 12 (f)
86300	2 / 5.1	1⅞ / 3.7	6 / 15.2	SAE 8 (f)	SAE 10 (f)

Model	Operating Pressure Range* psi / bar	Operating Temp. Range	Fluid Consumption Rate	Maximum Recommended Continuous Speed	Wetted Part Materials
86400	300 to 1500 20.4 to 103	-30°F to 200°F -34°C to 93°C	57.7 cu. in./cycle or 1 gallon/4 cycles	55 cycles/ minute	Steel, bronze, Polyurethane, nitrile
86300	300 to 1500 20.4 to 103	-30°F to 200°F -34°C to 93°C	18.8 cu. in./cycle or 1 gallon/12 cycles	75 cycles/ minute	Steel, bronze, Polyurethane, nitrile

* Refer to tables on next page for maximum operating pressure with specific pump tubes.



PowerMaster® III

PowerMaster® III with Model 86400

Pump Tube Model	Ratio	Maximum Delivery Pressure psi / bar	Maximum Hydraulic Inlet Pressure psi / bar
84981	4:1	4,000 / 276	1,000 / 69
84982			
84983			
84984			
84985			
84986			
84987			
84976	7.5:1	7,500 / 517	
84977			
84978	11:1	7,700 / 531	700 / 48
84979			
84991	8:1	7,200 / 496	900 / 62
84992			
84993	14:1	7,000 / 483	500 / 35
84994			
84995	17:1	7,650 / 527	450 / 31
84996			
84997	23:1	6,900 / 476	300 / 21
84998			

PowerMaster® III with Model 86300

Pump Tube Model	Ratio	Maximum Delivery Pressure psi / bar	Maximum Hydraulic Inlet Pressure psi / bar
84981	1.5:1	2,250 / 155	1,500 / 103
84982			
84983			
84984			
84985			
84986			
84987			
84976	2.5:1	3,750 / 258	
84977			
84978	3.6:1	5,400 / 372	
84979			
84991	2.7:1	4,000 / 276	
84992			
84993	4.5:1	6,750 / 465	
84994			
84995	5.5:1	7,500 / 517	1,300 / 90
84996			
84997	8:1	7,200 / 496	900 / 62
84998			



PileDriver® III

PileDriver® III with 86400 Motor

Pump Tube	Ratio	Maximum Delivery Pressure psi / bar	Maximum Hydraulic Inlet Pressure psi / bar
84900	2.3:1	3 450 / 238	1,500 / 103
84901	3:1	4,500 / 310	
84902	4:1	6,000 / 414	
84904	2.7:1	4,050 / 279	
84921	1.2:1	1,800 / 124	
84922			
84923	0.6:1	900 / 62	
85922	1.2:1	1,800 / 124	

PileDriver® III with 86300 Motor

Pump Tube	Ratio	Maximum Delivery Pressure psi / bar	Maximum Hydraulic Inlet Pressure psi / bar
84900	0.8:1	1,200 / 83	1,500 / 103
84901	1:1	1,500 / 103	
84902	1.4:1	2,100 / 145	
84904	0.9:1	1,350 / 93	
84921	0.4:1	600 / 41	
84922			
84923	0.2:1	300 / 21	
85922	0.4:1	600 / 41	

Material Shut-Off Valves

Lincoln recommends the use of material shut-off valves between the supply pump and the material supply line pipe. This enables you to disconnect the pump for service without voiding the supply line of material. Shut-off valves also can be used at the material outlets of the drop lines to control the flow of material in transfer systems.



Model 884

Needle-Type Valves

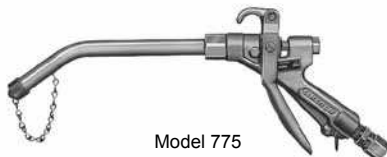
Model	Inlet & Outlet	Max. Working Pressure - psi / bar
884	3/8" NPT Female	10000 / 690
885	1/2" NPT Female	10000 / 690



Model 69503

Quarter-Turn (Ball) Valves

Model	Inlet & Outlet	Max. Working Pressure - psi / bar
69503	1/2" NPT Female	3000 / 206
69425	3/4" NPT Female	3000 / 206
69423	1" NPT Female	3000 / 206



Model 775

Low-Pressure Control Valves

Ideal for controlling flow of materials in transfer systems.



Model 780

Model	Max. Inlet Pressure psi / bar	Inlet Size	Outlet Size	Extension	Features / Benefits
82906	1000 / 68	1/2" NPTF	1/2" NPTF	Optional	High flow rate means fast transfer of low- to medium-viscosity fluids
775				Rigid Pipe	
776				Flex Hose	
780				Rigid Pipe	Swivel extension aids access to hard-to-reach areas

High-Pressure Control Valves

Ideal for controlling flow of materials in higher-pressure transfer systems and extrusion systems.



Model 85905



Model 83586

Model	Max. Inlet Pressure psi / bar	Inlet Size	Outlet Size	Extension	Features / Benefits	Options/Kits Accessories
85905	5000 / 345	1/2" NPTF	1/2" NPTF	Optional	Trigger latch reduces operator fatigue during continuous use.	91935 carboloy seat for abrasive materials.
83586		1/4" NPTF	1/8" NPTF	2" rigid with 3/32" orifice	Slim, lightweight design w/ adjustable trigger spring for precise, easy operation. "The Palm Gun" has Tungsten Carbide needle and seat.	
83587			Fixed		Same as 83586 except has hardened steel needle and seat located intip for drip control.	
81495	10,000 / 680	3/8" NPTF	1/8" NPTF	Optional	Heavy-duty machined steel construction for high-viscosity, high pressure, extreme service applications.	66001 Ball seat for high-volume flow. Max. pressure limited to 2000 psi/138 bar. Ball & Seat for abrasive material applications.



Model 68874



Model 5803

Nozzles and Extensions

Nozzles			
Model	Orifice - in. / mm	Inlet Size	Length in. / mm
68874	Brush	1/8" NPT Female	1 / 25.4
14237	3/32 / 2.4	1/8" NPT Male	1 7/8 / 48
5803	1/32 / .8	1/8" NPT Female	2 3/4 / 70
11196	1/16 / 1.6	1/8" NPT Female	1 1/8 / 29

Extensions 1/8" NPT Male	
Model	Length in. / mm
62028	6 / 150
62061	12 / 300
62117	18 / 450



Model 81728



Model 82072

Swivels

Designed for use between the material hose and control valve to give the operator more flexibility and mobility and to reduce fatigue.

Model	Style	Threads	Max. Working Pressure - psi / bar
81728	Straight	½" NPT Male x ⅜" NPT Male	6400 / 435
82072	Straight	½" NPT Male x ½" NPT Male	
82087	90°	½" NPT Male x ½" NPT Male	
81729	Universal	½" NPT Male x ⅜" NPT Male	
82073	Universal	½" NPT Male x ½" NPT Male	

Important Note: For lubricant use only. Not recommended for abrasive or corrosive materials.

Material Pressure Gauges



Model 66689



Model 66111

Model	Pressure Range	Connection	Remarks
66689	0-2000 psi 0-140 kg/cm ²	¼" NPT Male Bottom	2½"/65mm dial, black steel case & ring, bronze bushed movement & front recalibration with stabilizer in shank.
68946	0-2000 psi 0-140 kg/cm ²	¼" NPT Male Bottom	Same as 66689 except dual needles. Red needle indicates maximum pressure recorded. Black needle indicates actual pressure being developed.
69827	0-3000 psi 0-210 kg/cm ²	¼" NPT Male Back	2½"/65mm dial, black steel case, glass filled. Nylon movement.
69844	0-3000 psi 0-210 kg/cm ²	¼" NPT Male Bottom	Same as 69827 except bronze bushed movement.

Model	Pressure Range	Connection	Remarks
66111	0-5000 psi 0-350 kg/cm ²	¼" NPT Male Bottom	3½"/75mm dial, glass filled nylon movement.
69910	0-6000 psi 0-420 kg/cm ²	¼" NPT Male Back	2½"/65mm dial, black steel case and plain movement.
69039	0-5000 psi 0-350 kg/cm ²	¼" NPT Male Bottom	2½"/65mm dial, black steel case & plain movement with dual needles. Red needle indicates maximum pressure recorded, black needle indicates actual pressure being developed.

Important Note: For lubricant use only. Not recommended for abrasive or corrosive materials.

Industrial Pumping Equipment

Air-Operated Ejectors



Model 83664



Model 85250



Model 84564



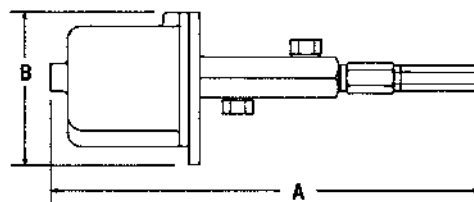
Model 84540

Designed to be combined with PowerMaster® or PileDriver® pumping systems to dispense measured shots of mastics, epoxies, sealants, greases and other viscous materials. The ejectors are true positive-displacement measuring devices which accurately dispense material onto the work piece.

- Positive-displacement measuring/dispensing
- Steel plunger & body assembly
- Adjustable plunger stop
- High air/material ratio
- Maintain extreme accuracy and repeatability, even where temperature, viscosity and material/air supply pressure are variable. (Repeatability suffers with competitive timed metering systems as the variables change.)
- Displacement volume can be adjusted
- High-viscosity capability
- High-speed capability

Model	Ratio	Operating Air Pressure	Max. Priming Pressure	Output Per Cycle	Dimensions		Air Inlet NPT Female	Mat'l Inlet NPT Female	Mat'l Outlet Female
					A	B			
83664	27:1	80-100 psi / 5.5-7 bar	1,000 psi / 68 bar	.005-.045in ³ .08-.74cc	11¼" 286mm	4" 102mm			⅝"
85250	35:1	100 psi / 7 bar	1,500 psi / 102 bar	.015-.200in ³ .25—3.3cc	13¾" 337mm	3⅞" 98mm	⅝"	¼"	¼"
85252	35:1		1,500 psi / 102 bar	.015-.200in ³ .25—3.3cc	13¾" 337mm	3⅞" 98mm			
84564	36:1		2,000 psi / 138 bar	.1-1.0in ³ 1.6-16cc	20⅞" 522mm	5¼" 133mm	⅜"	⅜"	⅜"
84540	35:1			.5-2.5in ³ 8-41cc	21" 536mm	8⅞" 213mm	½"	½"	½"

Note: Order model 85250 when dispensing compatible materials; order model 85252 when dispensing petroleum-based materials.



Designed to be combined with PowerMaster® or PileDriver® pumping systems to dispense accurate volumes of adhesives, sealants, plastisols, lubricants and other medium- to high-viscosity fluids. These positive displacements valves address the following applications:

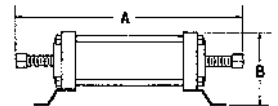
- Product packaging (pump material from 400 lb. drum to fill 16 oz. paper cartridges)
- Process fill (vinyl plastisol into product molds)
- Product fill (measure fluid into gear boxes, drives)

All Lincoln Measuring Valves feature:

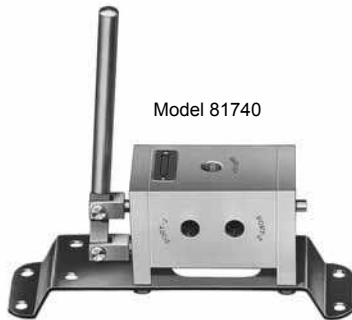
- Positive-displacement piston design
- Adjustable piston stops
- Horizontal or vertical mounting capability
- One moving part

With these benefits:

- Accuracy and repeatability that cannot be matched by other measuring systems such as timed flow
- Capacity to “fine tune” and “lock in” output volume
- Reliability
- Long component life



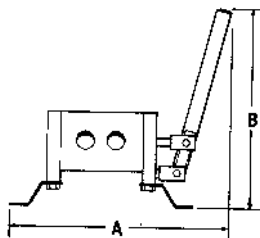
Model 81741



Model 81740

Model	Description	Max. Mat'l. Supply Press.		Output Per Cycle			Dimensions in. / mm		Mat'l. Inlet / Outlet
		psi	bar	cu. in.	cc	fl. oz.	A	B	
81741	Require 4-way valves	5000	340	0-7.5	0-123	0-4	13 330	4 ⁷ / ₁₆ 113	1/4" NPTF

* Index head permits 10 adjustable outputs.

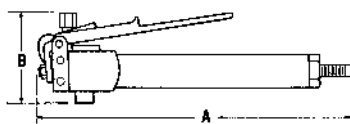


Manual 4-Way Valve

Model	Max. Material Supply Pressure		Material Inlet NPT	Material Outlet NPT Female	Air Inlet Female	Dimensions in. / mm	
	psi	bar				A	B
81740	5000	340	1/4" NPTF	1/4" NPTF	-	7 1/4 184	8 7/16 208



Model 84523



Manual Measuring Valves

Manual high-pressure measuring valves include handle for manual (hand, foot or knee) operation or can be actuated with an air cylinder.

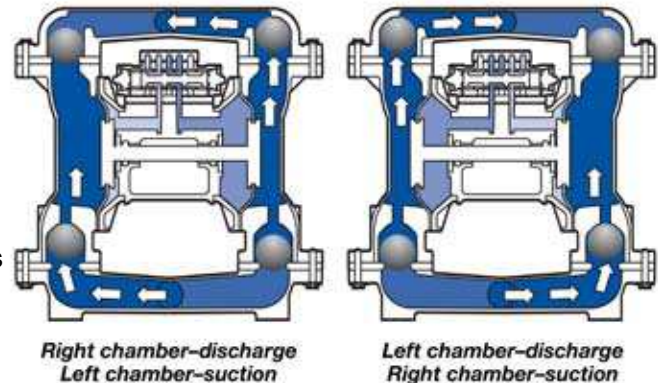
Model	Max. Mat'l. Supply Pressure		Output Per Cycle			Dimensions in. / mm		Mat'l. Inlet	Mat'l. Outlet
	psi	bar	cu. in.	cc	fl. oz.	A	B		
84523	5000	340	.081-1.8	1.3-30	.045-1	14 ¹³ / ₁₆ /376	4 /101	1/4" NPTF	1/8" NPTF

Minimum supply pressure 500 psi (35 bar).

1/4" - 2" Air-Operated Pumps

Basic Design Features

Diaphragm pumps are driven by compressed air. The directional air distribution valve and pilot valve—the “air end”—are located in the center section of the pump. Liquid moves through two manifolds and outer chambers of the pump—the “wet end”. Generally, check valves are located at the top and bottom of each outer chamber or on a common manifold. The two outer chambers are connected by suction and discharge manifolds.



Lincoln’s double diaphragm self-priming design offers many advantages over other pumps.

- **Pump abrasive and sheer-sensitive materials.** Low interval velocities move abrasives easily with no damage. Gentle pumping action does not shear fragile materials.
- **Pumps viscous materials.** Even heavy or solids-laden materials can be pumped.
- **Environmentally friendly.** No motors, seals or packing to leak.
- **Self-priming.** Able to dry prime under most suction lift or flooded suction conditions.
- **Variable flow.** Regulate the inlet air supply to adjust flow.
- **Runs dry without damage.**
- **Deadheads against closed discharge.** Excessive back pressure stops operation without damage until discharge opens. Eliminates bypass systems or relief valves.
- **Explosion-proof.** Eliminates sparking concerns of other electrical or rotating pumps.

WARNING
In the event of diaphragm rupture, pumped material may enter the air end of the pump and be discharged into the atmosphere. If pumping a product which is hazardous or toxic, the air exhaust must be piped to an appropriate area for safe disposition.



1:1 Air-Operated Diaphragm Pump Line

Model Number	Pump Description	Pump Body	Wetted or Soft Parts	Pump Inlet/Outlet NPT	Max. Free Delivery GPM	Air Inlet NPT(F)	Max. Rec. Inlet Air Pressure	Max. Susp. Solids	Application
85630	1/4"	Polyprop	PTFE	1/4" / 1/4"	4	1/4"	100 psi	1/32"	New oil, AF, windshield washer
85631	1/2"	Aluminum	Buna-N	1/2" / 1/2"	15	1/4"	100 psi	1/8"	New/used oil, AF
85632	1/2"	Aluminum	PTFE	1/2" / 1/2"	15	1/4"	100 psi	1/8"	New oil, AF
85633	1/2"	Aluminum	Hytrel	1/2" / 1/2"	15	1/4"	100 psi	1/8"	New oil
85622	1/2"	Polyprop	Santoprene	1/2" / 1/2" *	14	1/4"	100 psi	1/8"	High abrasion materials
85623	1/2"	Polyprop	PTFE	1/2" / 1/2" *	14	1/4"	100 psi	1/8"	New oil, AF
85626	1/2"	Polyprop	Buna-N	1/2" / 1/2" *	14	1/4"	100 psi	1/8"	New oil, AF
85629	1"	Aluminum	Hytrel	1" / 1"	45	1/2"	125 psi	1/4"	New oil
85628	1"	Aluminum	PTFE	1" / 1"	45	1/2"	125 psi	1/4"	New oil, AF
85627	1"	Aluminum	Buna-N	1" / 1"	45	1/2"	125 psi	1/4"	New/used oil, AF
85621	1 1/2"	Aluminum	Buna-N	1 1/2" / 1 1/2"	106	3/4"	125 psi	1/4"	New/used oil, AF
85624	2"	Aluminum	Buna-N	2" / 2"	150	3/4"	125 psi	1/4"	New/used oil, AF

Dual Inlet

85636	1/2"	Aluminum	Buna-N	1/2" / 1/2"	15	1/4"	125 psi	1/8"	AF/Water
85637	1/2"	Polyprop	Buna-N	1/2" / 1/2"	14	1/4"	100 psi	1/8"	AF/Water
85639	1"	Polyprop	Buna-N	1"ANSI**	45	1/2"	100 psi	1/4"	AF/Water
85638	1"	Aluminum	Buna-N	1" / 1"	42	1/2"	125 psi	1/4"	AF/Water

* Can be converted to dual 1/2" outlet. ** 85639 requires 275631 Adapter and 275632 Seal Kit for Pipe Thread installations

U.L. Listed

85634	1" UL	Aluminum	Buna-N	1" / 1"	45	1/2"	50 psi *	1/4"	Used oil, diesel, kerosene
85635	1" UL	Aluminum	PTFE	1" / 1"	45	1/2"	50 psi *	1/4"	Unleaded gas, diesel, kerosene used oil

* 50 psi flammable liquids, 125 psi others.



85255

Wall Mount Brackets

Model 85255 Wall Mount Bracket

Wall mount bracket for 1/4" to 1/2" air-operated diaphragm pumps.

Model 84817 Wall Mount Bracket

Wall mount bracket for 1/2" to 2" air-operated diaphragm pumps.



84817

Other Accessories

Model 240994 Drum Adapter Kit

For use with 1/2" polypropylene AOD pumps. Includes 2" NPT(f) bung bushing, 1" x 36" suction tube and adapter.



240994

Model 275631 1" ANSI Flange To 1" NPT Adapter

Adapts 1" ANSI flange of 85639 polypropylene dual inlet pump to 1" NPT(f).PVC for low pressure installations. Three required to convert all pump inlets/outlets.

Model 275632 ANSI Bolt Kit with Seal

Attaches adapter to 85639 pump. One bolt kit required for each adapter. Three required to convert all pump inlets/outlets.

Transfer Pump Accessories

Suction Kits

Model 84945 Suction Kit

For transfer of product from drums, bulk tanks or reservoirs. Includes bung bushing suction tube, hose and coupling assembly. NOTE: 2" x 1" bell reducer required for use with Model 1914, not included.



84945

Model 85256 Suction Kit

Same as 84945 except for use with 1/4" AOD pumps.

Used-Fluid Overfill Warning Valves

Float rises with used fluid to activate "whistle" warning at prescribed level.

Model 84815 Single Wall

For single wall tanks & drums in used fluid systems and above ground tanks.



84815

Model 84824 Double Wall

Same as 84815 except for double walled tanks and above ground tanks.



84816

4-Way Valve

Model 84816

Four port, two position valve used in waste fluid systems. Enables one pump to pump into and out of drum or tank. 1 in. NTP female threads inlet/outlet.

Thermal Pressure Protection

Protect lube system components from high-pressure spikes caused by temperature change in a closed fluid network.



282902

Model	Description	Application	Pre-Set Relief Pressure	Port Size
282902	Valve only	AODD pumps	150 psi (10 bar)	1/2" NPT
277601-4	Kit with valve, hose, adapters	1/2 in. AODD pumps	150 psi (10 bar)	Integrated
277601-5	Kit with valve, hose, adapters	1 in. AODD pumps	150 psi (10 bar)	Integrated

Transfer Systems

Pump material from one container or reservoir to another. Typical applications involve high-volume transfer of low- to medium-viscosity fluids.

Model	Container Size	Ratio	Max. Dischrg. Pressure psi / bar	Maximum Delivery GPM/LPM	Pump Tube Construction	Packings	Pump Outlet
84080-9	55 gal.	3:1	375 / 26	2.5 / 9.5	316 Stainless Steel	PTFE	½" NPTF
84145-9	Bulk						
82230 *	16 gal. or 55 gal.	1:1	150 / 10	22 / 82	Carbon Steel	Leather	¾"-11-½" A.N.
84829	16 gal., 55 gal. or Bulk			16.5 / 66	Tube-Carbon Outlet Body Valox	Buna-N	¾" NPTF

* Accessories for 82230: 82715-PTFE kit; 91172-Hose & nozzle (see Notes: 2 below)

Model	Special Features
84080-9	2" bung bushing and ¼" NPTF return inlet.
84145-9	Wall mount kit and suction hose check (see Notes: 1 below)
82230	Built-in air control valve for throttling air supply to pump to control material output. Operates on pressure as low as 20 psi (1.4 bar). Self-adjusting bung bushing (see Notes: 2 below)
84829	Light weight and efficient. The pump will stall against pressure and can be controlled by a fluid dispensing valve.

Notes: 1) Suction hose or tube (not included) should be compatible with pumped product and not exceed 10' (3 m) long nor less than ¾" (19 mm) I.D.

2) 91172 transfer pump j. 8 feet (2.5 m) ¾" (19 mm) I.D. standard hose and curved spout, with inlet threaded ¾" - 11 - ½" A.N. to fit outlet of 82230 pump.

3) For transfer systems involving long supply lines, PowerMaster III stub pumps are available. Consult Lincoln for your application needs.

Value Series Pump Models

Model No.	Application	Mounting	Down Tube Length
4490	16-55 gallon	2" NPT male bung adapter	36.5"
4491	250-275-gallon oval tank	2" NPT male bung adapter	47.0"
4492	Stub	1.5" NPT male	N/A

Specifications

Pump Ratio	Output/Stroke	Delivery Output	Pneumatic Inlet Pressure		Operating Temp. Range	Weight (Empty)	Pneum. Port Inlet	Material Port Outlet	Rec'd. Fluids
			Max	Min					
3.5:1	5.6 in ³ / 91 cm ³	6 GPM	120 psig 8.3 bar	20 psig 1.4 bar	30°F - 120°F -1°C - 49°C	14 lbs.	¼-18 NPTF	½ NPTF	Motor oils, transmission fluid, petroleum-based fluids
			120 psig 8.3 bar	20 psig 1.4 bar					
			120 psig 8.3 bar	20 psig 1.4 bar					

Features and Benefits—Designed for Value

- Proven horizontal, valved-piston motor design for simplicity and reliability
- Motor's single-stroke action delivers quick dispense, fill or transfer with high-volume output
- Built-in muffler for quiet operation
- Available as stub pump, 16-/55-gallon pump or 250- to 275-gallon tank pump

Model 4475 Series Pump

The model 4475 pump is a reciprocating-piston, low-pressure, single-action pump. Air powers the pump's piston on the dispensing, or working, stroke. An internal spring returns the piston and resets it for the working stroke. It pumps continuously when the dispensing (fluid outlet) valve is open and 20-120 psig air is supplied to the pump.

Specifications

Model No.	Description	Material Outlet	Operation	Pump Tube Length	Attachment
4475	Bare Pump	½" NPTF	Pneum. pressure delivery stroke, spring return stroke	34" (86 cm)	2" Bung, adj. for 55- & 16-gal. drums, bench & portable tank
4480	Spigot Pump	Spigot extension with on/off valve			

Model No.	Effective Pump Ratio	Inlet Air Pressure	Output/Stroke	Free Delivery
4475	Approx. 0.7:1 to 0.8:1 depending on inlet air pressure	Max: 120 psi (8.3 bar)	2.9 in ³ (48 cm ³)	Up to 4 gpm (15 lpm)
4480		Min: 20 psig (1.4 bar)		



Model 84080-9

Model 84145-9

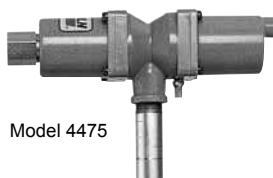
Model 82230



Model 4490



Model 4480



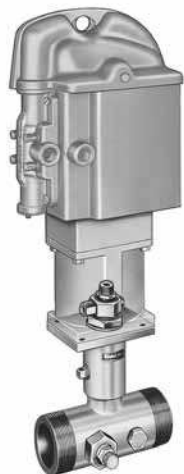
Model 4475



Model 2390



Model 2360



Model 83496

Ultra High-Pressure Pumps for Pressure Control Applications

Designed specifically for oil well services such as wireline and plug valve applications. In wireline applications, these pumps are used to seal against the well-head pressure as the well is being logged or perforated. In plug valve applications, they are used to pump heavy grease into the valve or "Christmas tree valves" to seal any gas leaks.

Series III PowerMaster 4, 6, 8

Pump Model	Ratio	Pump Tube	Air Motor	Max. Delivery Press. psi / bar	Max. Air Pressure psig (bar)	Pump Tube Length
2390	250:1	85304	84808	20,000 (1380)	80 (5.5)	33 ³ / ₄ " 85.70cm
2392	140:1		84806		100 (6.9)	
2394	70:1		84804		200 (13.8)	
2391	250:1	85305	84808		80 (5.5)	27 ¹ / ₈ " 68.90cm
2393	140:1		84806		100 (6.9)	
2395	70:1		84804		14,000 (965)	200 (13.8)

Max. Delivery Pressure psig (bar)	Average Output/Cycle	Output at 75 cycles/min	Operating Temperature Range	Wetted Part Materials	Pump Stroke	Material Outlet	Gauge Port
20,000 (1380)	2 in ³ (33cc)	0.67 GPM (2.5 LPM)	-40°F to +180°F / -40°C to +82°C	Carbon Steel, Brass, Polyurethane	6" (152 mm)	Autoclave Engineers Medium Pressure Port for 3/16" Tube, 13/16-16 Thread	Autoclave Engineers Medium Pressure Port for 1/4" Tube, 7/16-20 Thread

Series II PowerMaster 6

Max. Delivery	Avg. Output	Piston Packing	Gland Packing	Pump Type	Mat'l. Outlet
.42 gal/min 1.6 l/min	1.4 in ³ /cycle 23 cc/cycle	Bushing & Plunger	Molybdenum Disulfide Urethane Stacked V	Shovel	1/2" NPTF (F)

Model No.	Pump Tube	Air Motor	Drum Size	Air Motor Size	Max. Discharge Press.	Air Inlet
2360	84304	82736	55 gal.	6 in 150 mm	14000 psi / 952 bar	3/4" NPTF(F)
2361	84604	82736	16 gal.			

Supply Line Booster Pump Tube

Ensures proper supply line pressure over long distances. The booster pump picks up low material pressure and "boosts" it back up to the desired pressure in the line. Pumping distance, pipe size and material viscosity determines number and spacing of booster pumps.

Max. Delivery	Gland Packing	Material Inlet & Outlet
1 gal/min 3.8 l/min	Polyurethane U-cup	3" NPTF(M)

Booster Pump Model	Air Motor Model	Pump Ratio	Air Motor Size in. / mm	Max. Discharge Pressure psi / bar	Air Inlet NPTF(F)
83496	82737	7.5:1	2 1/2 / 65	1500 / 102	1/4"
	82895	10.5:1	3 / 75	2100 / 142.8	1/2"
	82730	21.5:1	4 1/4 / 110	4300 / 292.4	
	82736	43:1	6 / 150		3/4"



Model 85801

Dispense Pak #1 Model 85801

For 5-gallon pail, single-gun applications not exceeding 26 cu. in. (426 cc) per minute.

Air Inlet	Material Outlet	Control Valve Inlet	Control Valve Outlet
¼" NPTF	½" NPTF	¼" NPTF	⅛" NPTF ¹

Extrusion volume per linear foot (beads)			
Diameter in. / mm	cu. in. / cc	Gallons / Liters	Ft. per Gal.
⅛" / 3.2	.1473 / 2.41	.00064 / .0024	1565
¼" / 6.35	.5891 / 9.65	.00255 / .0096	392
⅜" / 9.525	1.3562 / 22.2	.00574 / .021	174
½" / 12.7	2.3562 / 38.6	.01020 / .038	98
⅝" / 15.875	3.8612 / 63.3	.01592 / .060	63
¾" / 19.05	5.3005 / 86.8	.02295 / .086	44

85801 consists of 1725 pump assy., 67176 coupling, 83586 flow gun, 83594 universal swivel, 85817 20' x ½" ID moisture-lok hose assy.

¹ For additional nozzle selections refer to page 22.



Model 1725

Model 1725

Portable package designed for original 5-gallon pails. Portable pressure primer includes reversible steel cleats for securing both straight-sided and tapered pails. Follower with wiper blade cleans sides of pail as material is dispensed. Air-assisted follower extraction.

Model No.	Pump Ratio	Drum Size	Max. Del. gal./min. l./min.	Max. Discharge Pressure psi / bar	Hose Description	Standard Accessories
1725	25:1	5 gal.	0.25 / 0.95	5000 / 340	NA	NA

Note: Order hose, flow gun, etc. separately.



Model 252

Model 252

For dispensing heavy greases, NLGI #3. Includes a screw prime follower.

Note: Model includes 7 ft. of ¼" high-pressure hose, 81387 universal swivel and 740 control valve. Pressure switch is factory set to shut-off pump at 5,000 psi lubricant pressure and to start pump when pressure drops to 2,500 psi.

Dimensions	Output	Power Requirements	Lubricant Capacity
36¼" x 28" x 17½" 921 x 711 x 445 mm	6 oz. / min. 177.6 cc / min	115/230 volt 5.4 / 2.7 amp	30 lbs. 13.6 kg.

<u>Model No.</u>	<u>Page No.</u>	<u>Model No.</u>	<u>Page No.</u>
252	32	2326	14
740	32	2328	14
775	23	2332	14
776	23	2333	14
780	23	2334	14
884	23	2335	14
885	23	2342	14
1701	10	2349	14
1704	10, 11, 17	2350	14
1709	10	2352	14
1725	32	2353	14
1735	16, 17	2356	14
1736	10, 11, 17	2360	31
1765	16, 17	2361	31
1914	29	2367	14
2001	6	2368	14
2002	6	2375	14
2004	6	2390	31
2008	6	2391	31
2010	6	2392	31
2011	6	2393	31
2014	6	2394	31
2021	6	2395	31
2023	6	2716	10, 11
2028	6	2718	16
2029	6	2719	16, 17
2030	6	4475	30
2031	6	4480	30
2051	6	4490	30
2052	6	4491	30
2066	6	4492	30
2075	6	5803	24
2076	6	11196	24
2320	14	14237	24
2321	14	16177	9
2322	14	62028	24
2323	14	62061	24
2325	14	62117	24

<u>Model No.</u>	<u>Page No.</u>	<u>Model No.</u>	<u>Page No.</u>
66001	24	83587	24
66111	25	83594	32
66689	25	83664	26
66764	11	83727	9, 17
67176	32	83732	9
68874	24	83811	11, 17
68946	25	83943	10, 16
69039	25	83970	11, 17
69423	23	84080-9	30
69425	23	84141	11, 17
69503	23	84143	11, 17
69827	25	84144	11, 17
69844	25	84145-9	30
69910	25	84167	11, 17
81387	32	84192	9
81412	9	84304	31
81495	24	84377	9
81538	9	84502	8
81728	25	84503	11, 17
81729	25	84523	27
81740	27	84540	26
81741	27	84564	26
82072	25	84604	31
82073	25	84722	11, 17
82087	25	84723	11, 17
82230	30	84780	9
82715	30	84803	6, 7, 15
82730	31	84804	6, 7, 14, 15, 31
82736	31	84806	6, 7, 14, 15, 31
82737	31	84808	6, 7, 14, 15, 31
82895	31	84815	29
82906	23	84816	29
83132	9	84817	29
83166	9	84824	29
83274	16, 17	84826	9
83369	9	84829	30
83496	31	84900	14, 15, 19, 22
83586	24, 32	84901	14, 15, 19, 22

<u>Model No.</u>	<u>Page No.</u>	<u>Model No.</u>	<u>Page No.</u>
84902	14, 15, 19, 22	84993	6, 8, 19, 21
84904	13, 14, 15, 19, 22	84994	6, 8, 19, 21
84905	14	84995	6, 8, 19, 21
84906	14	84996	6, 8, 19, 21
84907	14	84997	6, 8, 19, 21
84908	14	84998	6, 8, 19, 21
84909	14	84999	6
84911	14	85250	26
84912	14	85255	29
84913	14	85256	29
84914	14	85300	18, 19
84915	14	85304	31
84917	14	85305	31
84921	13, 14, 15, 19, 22	85311	14
84922	14, 15, 19, 22	85314	14
84923	14, 15, 19, 22	85315	14
84924	14	85317	4, 12
84925	14	85321	14
84927	14	85323	14
84928	14	85324	14
84929	14	85325	14
84930	14	85326	14
84931	14	85327	14
84945	9, 29	85387-8	11, 17
84963	9	85621	28
84976	5, 6, 19, 21	85622	28
84977	6, 19, 21	85623	28
84978	6, 19, 21	85624	28
84979	6, 19, 21	85626	28
84981	7, 19, 21	85627	28
84982	7, 8, 19, 21	85628	28
84983	7, 19, 21	85629	28
84984	6, 8, 9, 19, 21	85630	28
84985	5, 6, 8, 9, 19, 21	85631	28
84986	6, 8, 19, 21	85632	28
84987	7, 8, 19, 21	85633	28
84991	5, 6, 8, 19, 21	85634	28, 29
84992	6, 8, 19, 21	85635	29

Industrial Pumping Equipment

Numerical Index



<u>Model No.</u>	<u>Page No.</u>	<u>Model No.</u>	<u>Page No.</u>
85636	28	91935	24
85637	28	94904	6, 7, 14, 15
85638	28	94906	6, 7, 14, 15
85639	28, 29	94908	6, 7, 14, 15
85801	32	94910	14, 15
85817	32	240994	29
85905	24	244398	4, 12
85922	15, 22	273429	4
86213	8	273835	4
86214	8	275197	29
86215	8	275631	28, 29
86216	8	275632	28, 29
86217	8	277601-4	29
86218	8	277601-5	29
86268	8	282876	29
86300	20, 21	282902	29
86400	20, 21		
86810	14, 15		
91172	30		

A complete line of lubrication solutions and industrial pumping products

Automatic lubrication

Our automatic systems dispense measured amounts of lubricant at predetermined intervals. Systems include Helios and Duo-Matic™ two-line systems, and Centro-Matic, Modular Lube, Quicklub and ORSCO precision oil lubrication. With our BearingSaver program, we find the best automated solution for you from our wide range of systems for grease, fluid grease and oil.



General lubrication

Sometimes a simple approach is the best solution. Our wide range of products includes smaller, self-contained automated lubricators and general lubrication equipment.



Industrial pumping

Lincoln has developed specialized pumps and pumping stations to handle the difficult job of transferring thick fluids. From the industry-best PileDriver III and PowerMaster III pumps and air motors to specialty pumps, controls and mounting accessories, Lincoln is the preferred pumping system for many tough applications on our worldwide resources.





© SKF is a registered trademark of the SKF Group.

© Lincoln, Modular Lube, Bearing Saver, Helios, Centro-Matic, Quickclub, PileDriver III and PowerMaster III are registered trademarks of Lincoln Industrial Corp.

© SKF Group 2014

The contents of this publication are the copyright of the publisher and may not be reproduced (even extracts) unless prior written permission is granted. Every care has been taken to ensure the accuracy of the information contained in this publication but no liability can be accepted for any loss or damage whether direct, indirect or consequential arising out of the use of the information contained herein.

March 2014 · FORM 442835



skf.com